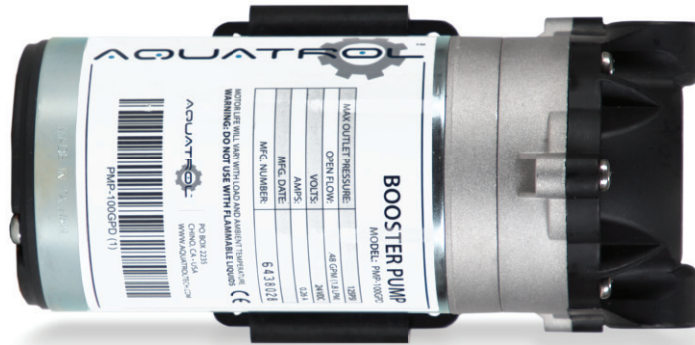




# PMP100GPD

## BOOSTER PUMP



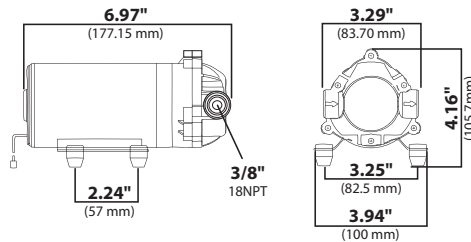
### PMP-100GPD SPECIFICATIONS

<b>MODEL NUMBER:</b>	PMP-100GPD
<b>PUMP DESIGN:</b>	Positive displacement
<b>DIAPHRAGM PUMP:</b>	Three chamber
<b>MOTOR:</b>	Permanent magnet
<b>VOLTAGE:</b>	24 VDC
<b>PRESSURE SWITCH:</b>	None
<b>LIQUID TEMPERATURE:</b>	140° F (60° C) max.
<b>PRIME:</b>	Self-priming up to 2 meter
<b>RUNS DRY:</b>	WITHOUT DAMAGE
<b>PORTS:</b>	3/8"-18 NPT female
<b>NET WEIGHT:</b>	4.67 lbs (2.12 kg)
<b>DUTY CYCLE:</b>	Continuous
<b>TYPICAL APPLICATIONS:</b>	R.O. booster pump and water delivery
<b>BYPASS:</b>	125 psi

INLET - 8 PSI		
PRESSURE (PSI)	FLOW GPM / (L/min)	CURRENT (AMPS)
Open Flow	0.58 / 2.20	0.15
10	0.52 / 1.95	0.19
20	0.48 / 1.80	0.26
30	0.44 / 1.65	0.33
40	0.41 / 1.55	0.40
50	0.39 / 1.48	0.49
60	0.36 / 1.37	0.56
70	0.34 / 1.27	0.62
80	0.31 / 1.18	0.68
90	0.26 / 1.00	0.73
100	0.18 / 0.69	0.76
110	0.092 / 0.35	0.82
125	BY PASS	1.34

*All data based on testing with water | Voltage (Volts): 24 VDC/1.5A/ Adaptor*

NOTE: Performance will vary with variation in service voltage and transformer output



Distributed by:



3001 S.W. 15th Street, Suite C, Deerfield Beach, FL 33442  
 sales@h2ofilter.com • www.h2ofilter.com  
**Toll-Free Number:** 1-800-570-3464  
**International:** 1-954-570-3464



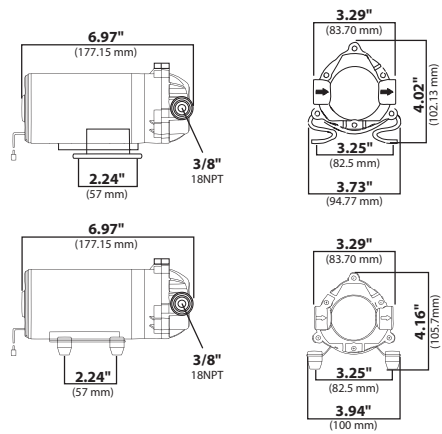
# PMP-50GPD

## BOOSTER PUMP



### PMP-50GPD SPECIFICATIONS

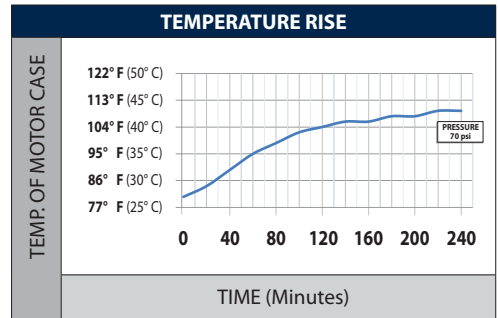
<b>MODEL NUMBER:</b>	PMP-50GPD
<b>PUMP DESIGN:</b>	Positive displacement
<b>DIAPHRAGM PUMP:</b>	Three chamber
<b>MOTOR:</b>	Permanent magnet
<b>VOLTAGE:</b>	24 VDC
<b>PRESSURE SWITCH:</b>	None
<b>LIQUID TEMPERATURE:</b>	140° F (60° C) max.
<b>PRIME:</b>	Self-priming 1 meter
<b>RUNS DRY:</b>	WITHOUT DAMAGE
<b>PORTS:</b>	3/8"-18 NPT female
<b>NET WEIGHT:</b>	Plastic plate 3.76 lbs (1.70 kg) Iron plate 3.92 lbs (1.78 kg)
<b>DUTY CYCLE:</b>	Continuous
<b>TYPICAL APPLICATIONS:</b>	R.O. booster pump and water delivery
<b>BYPASS:</b>	120 psi



INLET - 8 PSI		
PRESSURE (PSI)	FLOW GPM / (L/min)	CURRENT (AMPS)
Open Flow	0.33 / 1.26	0.15
10	0.32 / 1.21	0.19
20	0.3 / 1.12	0.26
30	0.27 / 1.04	0.33
40	0.26 / 0.97	0.40
50	0.23 / 0.88	0.49
60	0.21 / 0.78	0.56
70	0.18 / 0.69	0.62
80	0.16 / 0.60	0.68
90	0.12 / 0.44	0.73
100	0.042 / 0.16	0.76
120	BY PASS	0.82

*All data based on testing with water | Voltage (Volts): 24 VDC/1.2A/Adaptor*

NOTE: Performance will vary with variation in service voltage and transformer output



THIS TEST IS BASED ON RUNNING CONTINUOUSLY WITH AN AMBIENT TEMPERATURE OF 78.8° F (26° C) IN STILL AIR

Distributed by:



3001 S.W. 15th Street, Suite C, Deerfield Beach, FL 33442

sales@h2ofilter.com • www.h2ofilter.com

**Toll-Free Number:** 1-800-570-3464

**International:** 1-954-570-3464



# PMP-300GPD

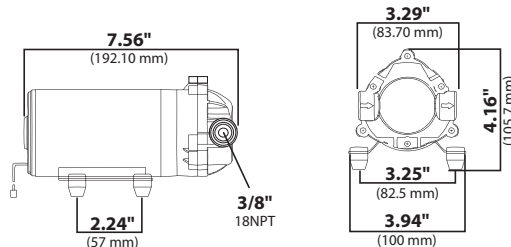
## BOOSTER PUMP



### PMP-300GPD SPECIFICATIONS

<b>MODEL NUMBER:</b>	PMP-300GPD
<b>PUMP DESIGN:</b>	Positive displacement
<b>Diaphragm pump:</b>	Three Chamber
<b>MOTOR:</b>	Permanent magnet
<b>VOLTAGE:</b>	36VDC
<b>PRESSURE SWITCH:</b>	NONE
<b>LIQUID TEMPERATURE:</b>	140 °F (60 °C) max.
<b>PRIME:</b>	Self-priming up to 2 meter
<b>RUNS DRY:</b>	WITHOUT DAMAGE
<b>PORTS:</b>	3/8" - 18 NPT female
<b>NET WEIGHT:</b>	4.65 lbs (2.11 kg)
<b>WETTED PARTS:</b>	FDA food grade material
<b>TYPICAL APPLICATIONS:</b>	R.O. booster pump and water delivery

NOTE: RECOMMENDED SHUT OFF TEMPERATURE: 150 °F. (REQUIRED TO SHUT DOWN WHILE THE MOTOR COOLS DOWN.)



INLET - 15 PSI		
PRESSURE (PSI)	FLOW GPM /(L/min)	CURRENT (AMPS)
20	1.16 / 4.40	0.86
30	1.13 / 4.28	1.06
40	1.09 / 4.13	1.24
50	1.05 / 3.98	1.40
60	1.02 / 3.85	1.58
70	0.97 / 3.70	1.76
80	0.95 / 3.60	1.99
90	0.92 / 3.50	2.11
100	0.86 / 3.27	2.26

*All data based on testing with water  
Voltage (Volts): 36 VDC/1.5A/Adaptor*

NOTE: Performance will vary with variation in service voltage and transformer output

Distributed by:



3001 S.W. 15th Street, Suite C, Deerfield Beach, FL 33442  
sales@h2ofilter.com • www.h2ofilter.com

**Toll-Free Number:** 1-800-570-3464

**International:** 1-954-570-3464