

H2O-I BB

Water Purification Pitcher

Eliminates 99.9% of bacteria and viruses



Keeps track of pitcher refills, indicates when it's time to replace the cartridge

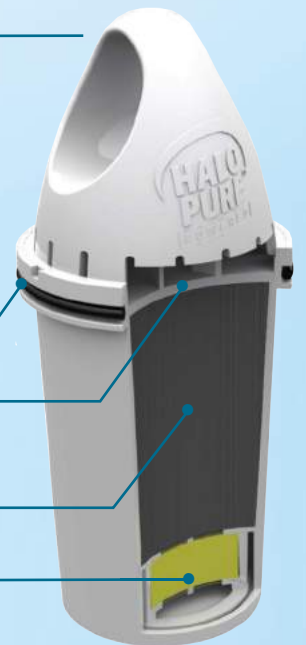


LCD Indicator

Water passes from the upper chamber to the lower chamber, through the 3-stage HaloPure cartridge.

5-gallon capacity in a slim-line design

Slip-grip base prevents surface scratching and sliding



Seal locks the filter into place

Sediment filter

Granular activated carbon remove taste, odor and color compounds

HaloPure™ antimicrobial media

HaloPure™ cartridge

Max Capacity Unit	375 liters
Includes	1 Pitcher, 1 Cartridge
Pitcher Height	11" (27.9 cm)
Pitcher Width	3 ⁷ / ₈ " (9.8 cm)
Unit Box Dimensions	10 ³ / ₄ " x 4" x 11 ⁵ / ₈ " (27.3 x 10.2 x 25.5 cm)
Unit Shipping Weight	2 lbs (.9 kg)
Packing	12 per master case
Master Dimensions	22" x 13" x 23" (55.9 x 33 x 58.4 cm)
Master Case Weight	26.0 lbs (11.8 kg)

Available for sale outside the USA only

H₂O International Inc.
 3001 SW 15th St. - Suite C
 Deerfield Beach, FL 33442
 1 800 570-3464 USA Toll Free
 1 954 570-3464 International
 info@h2ofilter.com
 www.h2ofilter.com

